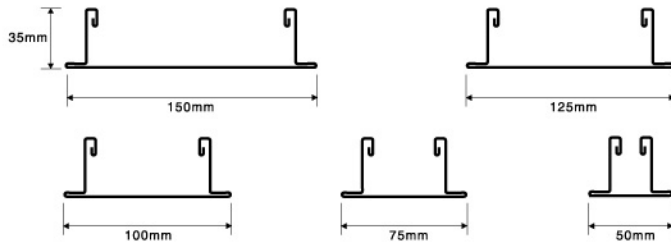
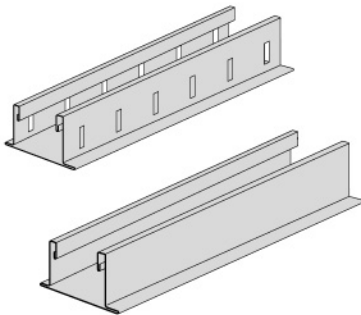


BANDRASTER Bandraster System



- Full range of widths
- Available unslotted
- Standard slotting in metric
- Compatible with Prelude XL cross tees
- Global White

BANDRASTER SECTIONS



description

length width

Bandraster slotted at 300 mm	3600 x 50 mm
Bandraster slotted at 300 mm	3600 x 75 mm
Bandraster slotted at 300 mm	3600 x 100 mm
Bandraster slotted at 300 mm	3600 x 125 mm
Bandraster slotted at 300 mm	3600 x 150 mm
Bandraster slotted at 312.5 mm	3750 x 100 mm

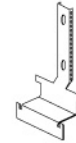
Exists also in unslotted version except 3750 x 100 mm

BANDRASTER ACCESSORIES

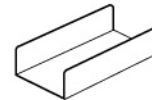
Description



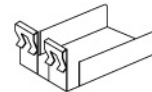
strip/rod connector



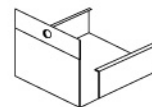
nonius hanger



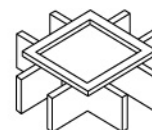
splice



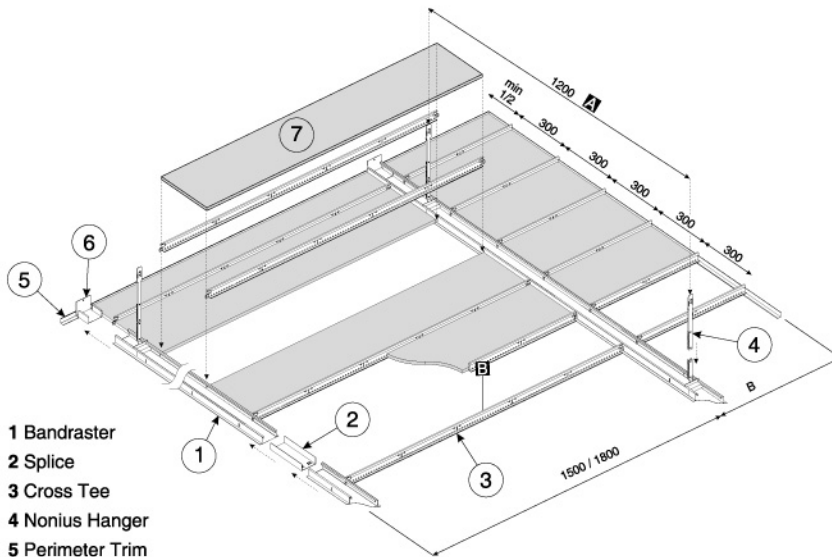
cross connector



wall connector



crossing element



- ▶ 1 Bandraster
- ▶ 2 Splice
- ▶ 3 Cross Tee
- ▶ 4 Nonius Hanger
- ▶ 5 Perimeter Trim
- ▶ 6 Wall Connector
- ▶ 7 Plank

A recommended hanger centres at 1200 mm

B recommended hanger centres at middle of 1500 / 1800 mm

Exists in several dimensions.
For more information call Internal Technical Sales.